

HPMA-X and TSI 3-X motorised arm and interface



HPMA-X specification

Principal application		Tool measurement and broken tool detection, primarily for use on large CNC machines
Transmission type		Hard-wired transmission
Weight		≈ 3 kg (106 oz), without tube or probes (total weight dependent on arm configuration)
Probe(s)		RP3 (capacity for one or two probes) ¹
Cable (arm to interface)	Type	Ø6.9 mm (0.27 in), 12-core screened cable, 0.22 mm ² per core
	Length	30 m (98.43 ft) maximum
Sense directions		±X, ±Y, +Z (refer to page 2 , “HPMA-X dimensions”, for axes definition)
Typical positional repeatability ^{2,3}		8 µm (315 µin) 2σ X/Y (tighter repeatability will be achieved on shorter tube lengths)
Stylus trigger force ^{4,5}		
XY low force		1.5 N, 153 gf (5.4 ozf)
XY high force		3.5 N, 357 gf (12.59 ozf)
+Z direction		12 N, 1224 gf (43.16 ozf)
Arm sweep motion		Motorised
Arm sweep time		Typically 3 seconds in each direction
Arm sweep angle		90°
Mounting		M8 bolts (× 3)
Probe pocket mounting		M6 bolts (× 2 per probe pocket)
Environment	IP rating	IPX6 and IPX8, BS EN 60529:1992+A2:2013 (IEC 60529:1989+A1:1999+A2:2013)
	Storage temperature	-25 °C to +70 °C (-13 °F to +158 °F)
	Operating temperature	+5 °C to +55 °C (+41 °F to +131 °F)

¹ Where the RP3 is to be used in the probe's Z-axis, a five-faced stylus is available to order from the Renishaw Online store at www.renishaw.com/shop.

² Test conditions: Stylus length: 22 mm (0.87 in)
Stylus velocity: 36 mm/min (1.42 in/min)

³ Repeatability performance is not specified in the arm rotational axis. Refer to **page 2**, “HPMA-X dimensions”, to identify this axis.

⁴ Trigger force, which is critical in some applications, is the force exerted on the stylus by the tool when the probe triggers. The maximum force applied will occur after the trigger point (overtravel). The force value depends on related variables including measuring speed and machine deceleration.

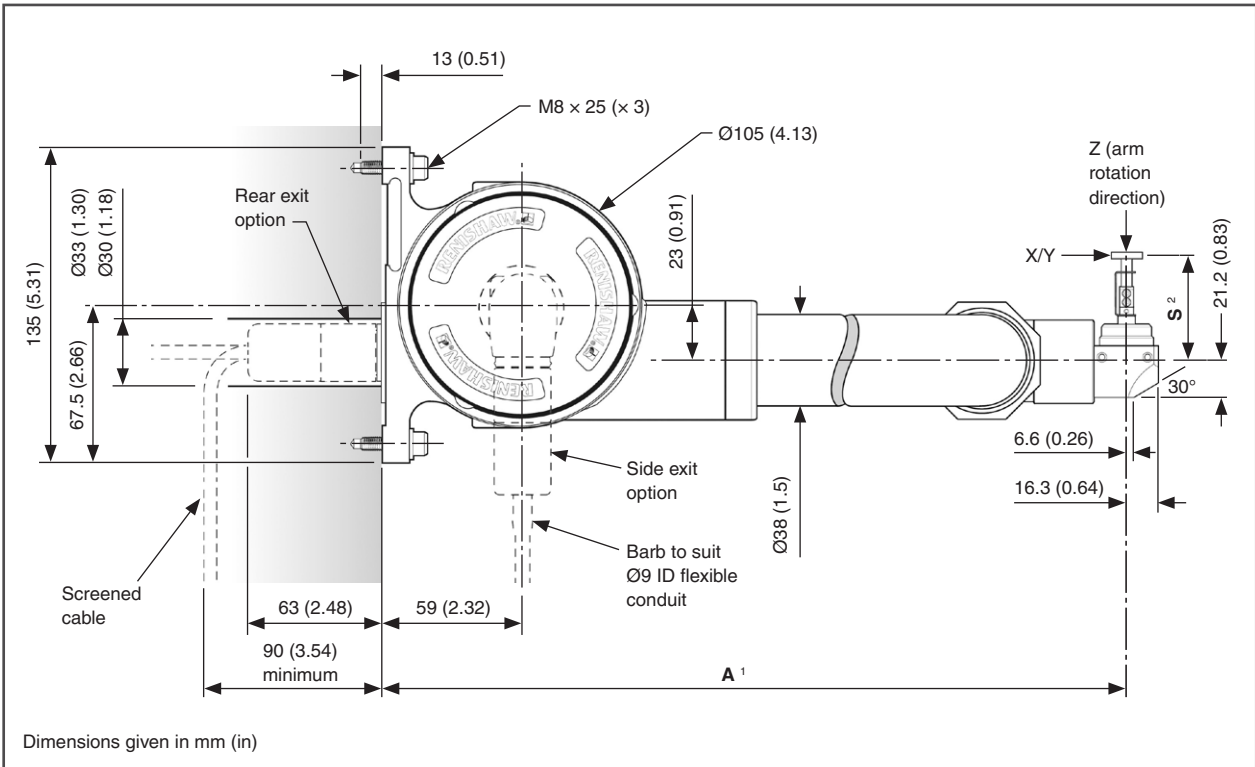
⁵ These are the factory settings; manual adjustment is not possible.

TSI 3-X specification

Principal application		Input and output interfacing between the HPMA-X arm and the host CNC controller
Weight		≈ 0.2 kg (7 oz)
Mounting		DIN rail preferred; alternatively M4 screw (× 2)
Status reporting		Four LEDs to identify command status, arm position, probe status and arm status
I/O connector type		25-way D-sub
Inputs		Opto isolated drive commands and probe inhibit command, 15 Vdc to 30 Vdc
Outputs		Voltage-free SSRs for probe status, arm ready and arm stowed
Four-wire I/O probe option (for example, Fanuc automatic length measurement input XAE, ZAE)		Four internally pulled down active high inputs, four OCT active high outputs
Power supply requirement	Voltage	24 Vdc
	Current	3 A
Environment	IP rating	IP20, BS EN 60529:1992+A2:2013 (IEC 60529:1989+A1:1999+A2:2013)
	Storage temperature	-25 °C to +70 °C (-13 °F to +158 °F)
	Operating temperature	+5 °C to +55 °C (+41 °F to +131 °F)

HPMA-X dimensions

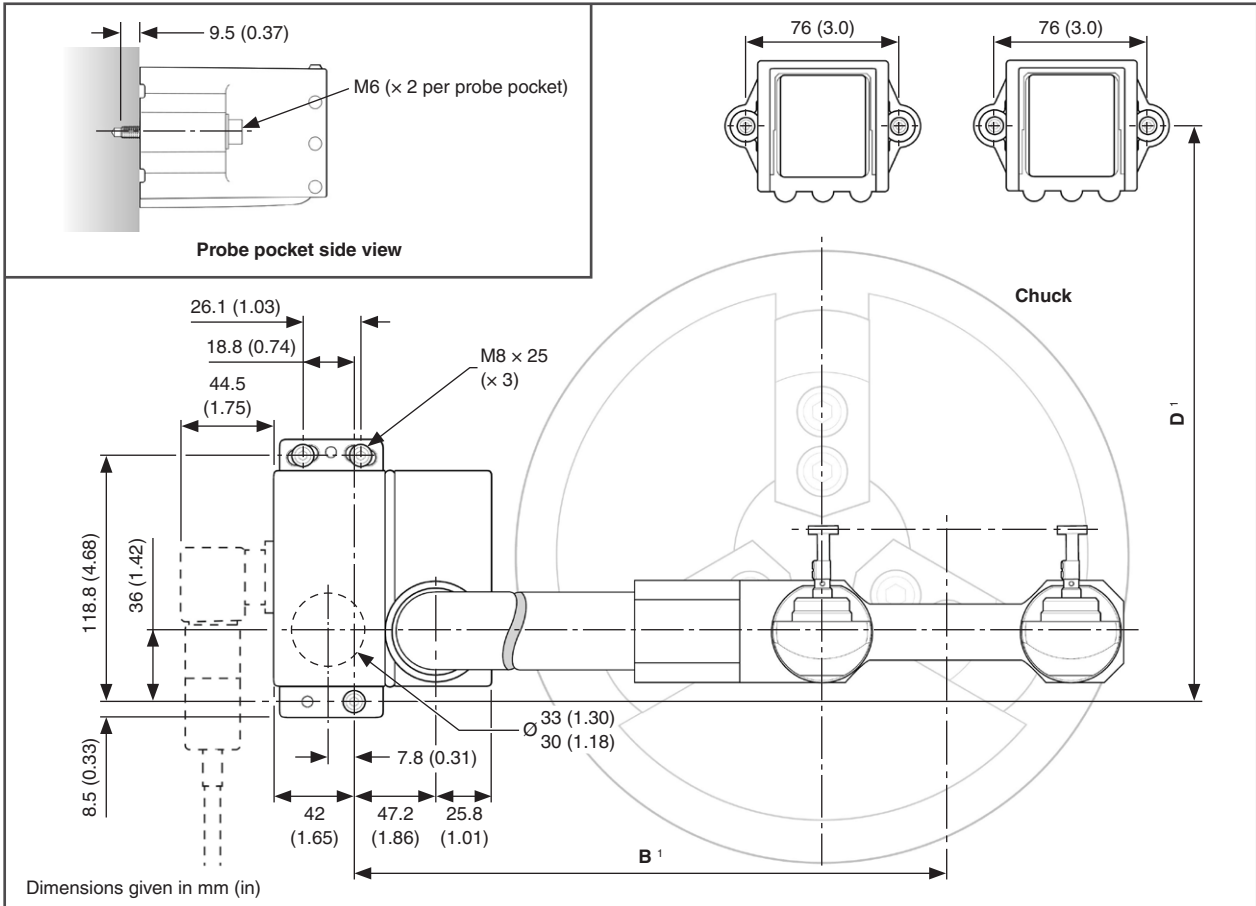
Options are available for a rear exit or a side exit cable. The arm arrangement shown is for illustration purposes only and will vary depending on the configuration required.



¹ Dimension A is dependent on the configuration of the arm and probe(s).
² A wide range of custom and standard stylus options are available.

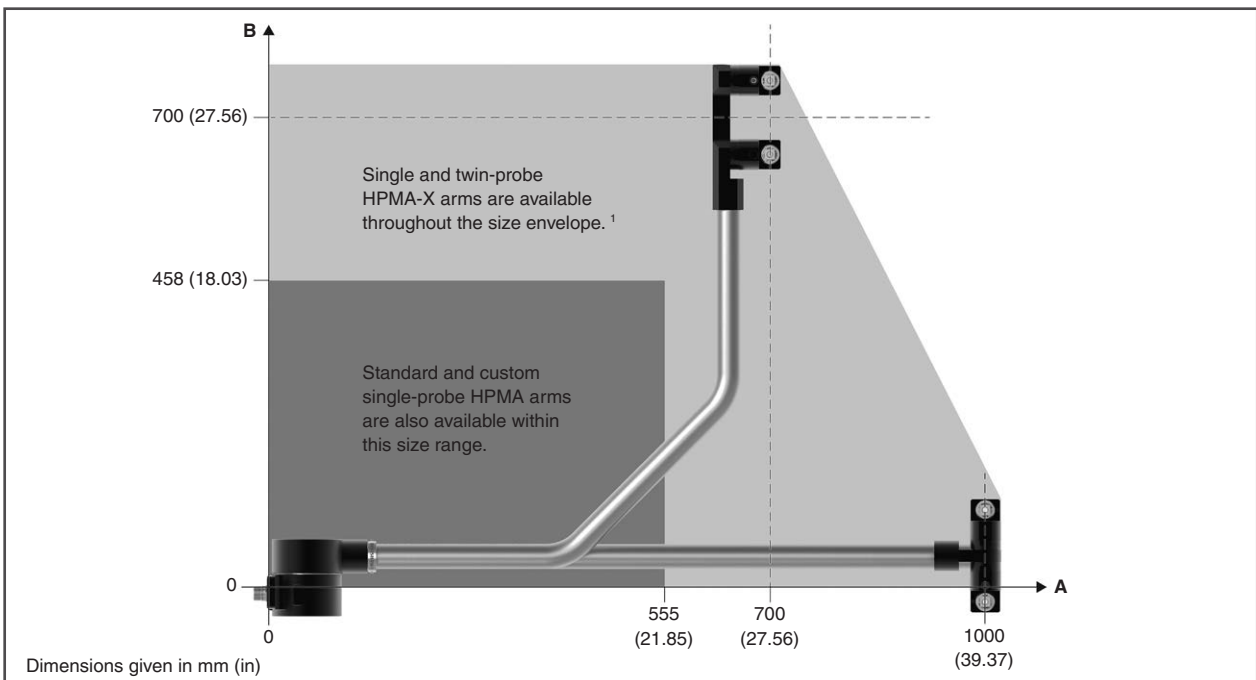
HPMA-X mounting details

The arm and probe holder arrangement shown is for illustration purposes only and will vary depending on the configuration required.



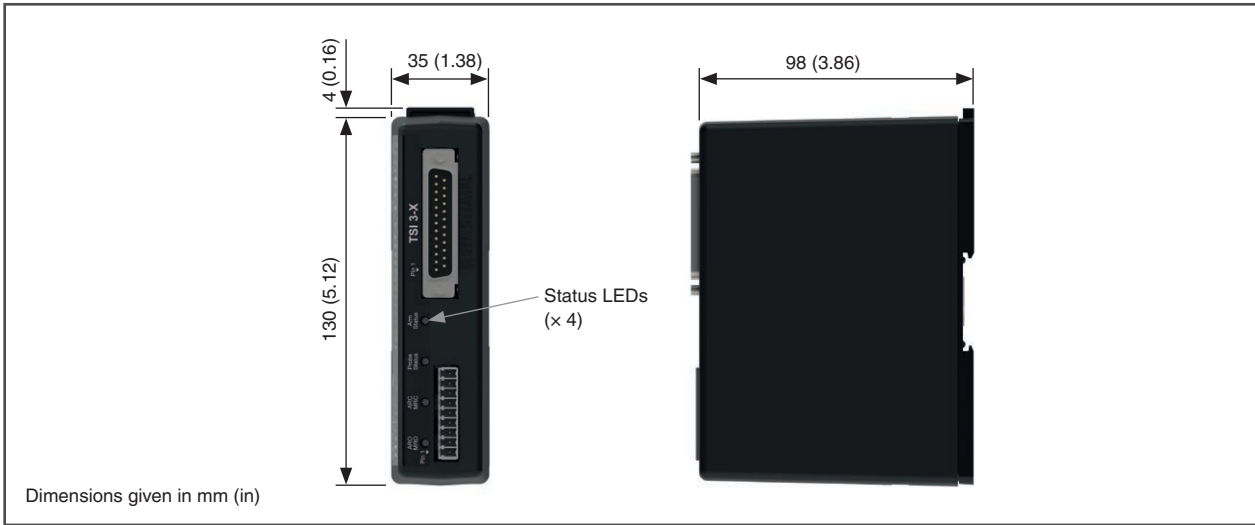
¹ Dimension dependent on the configuration of the arm and probe(s).

HPMA-X size guidance

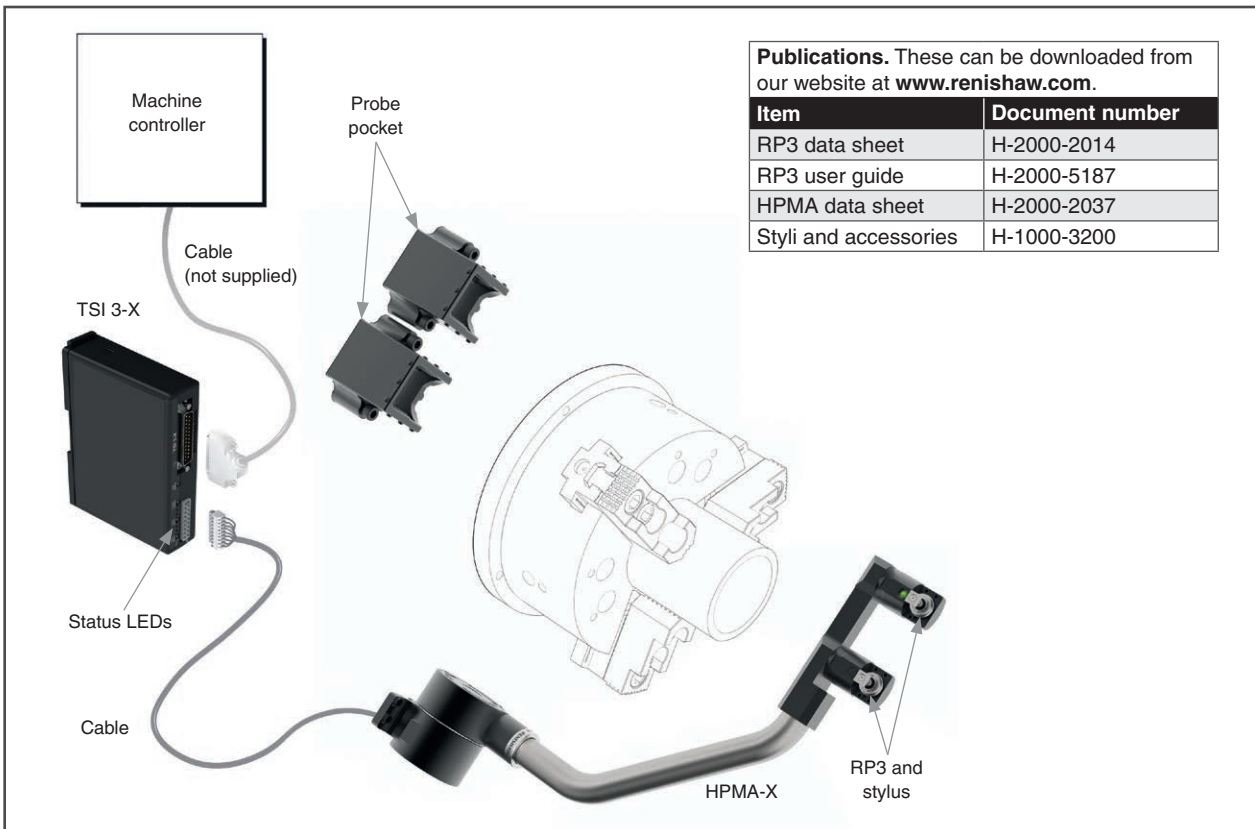


¹ For applications outside of this range, contact Renishaw.

TSI 3-X dimensions



Typical system



www.renishaw.com/hpma-x

#renishaw

+44 (0) 1453 524524

uk@renishaw.com

© 2022 Renishaw plc. All rights reserved. This document may not be copied or reproduced in whole or in part, or transferred to any other media or language by any means, without the prior written permission of Renishaw.

RENISHAW® and the probe symbol are registered trade marks of Renishaw plc. Renishaw product names, designations and the mark 'apply innovation' are trade marks of Renishaw plc or its subsidiaries. Other brand, product or company names are trade marks of their respective owners.

WHILE CONSIDERABLE EFFORT WAS MADE TO VERIFY THE ACCURACY OF THIS DOCUMENT AT PUBLICATION, ALL WARRANTIES, CONDITIONS, REPRESENTATIONS AND LIABILITY, HOWSOEVER ARISING, ARE EXCLUDED TO THE EXTENT PERMITTED BY LAW. RENISHAW RESERVES THE RIGHT TO MAKE CHANGES TO THIS DOCUMENT AND TO THE EQUIPMENT, AND/OR SOFTWARE AND THE SPECIFICATION DESCRIBED HEREIN WITHOUT OBLIGATION TO PROVIDE NOTICE OF SUCH CHANGES.

Renishaw plc. Registered in England and Wales. Company no: 1106260. Registered office: New Mills, Wotton-under-Edge, Glos, GL12 8JR, UK.

Part no.: H-6671-8200-01-A

Issued: 11.2022